



HYDAC INTERNATIONAL

Fluid Technology Area / 流體科技領域

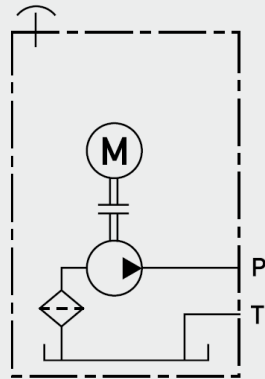
Compact Power Unit DC1 & DC0

直流電壓動力小單元DC1 & DC0

HYDAC Flu-
idtechnik

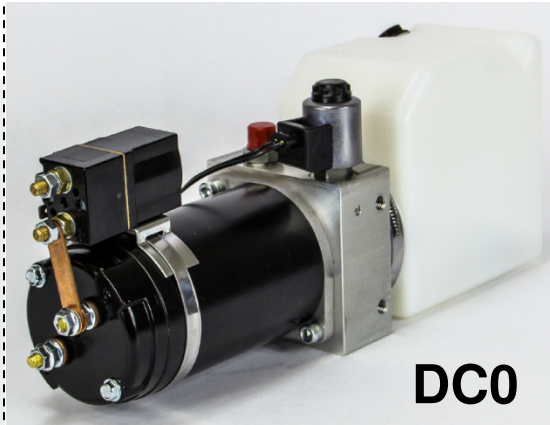


DC1

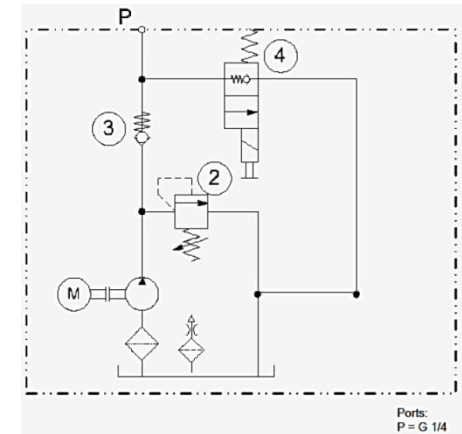


up to 250 bar
up to 18.4 l/min

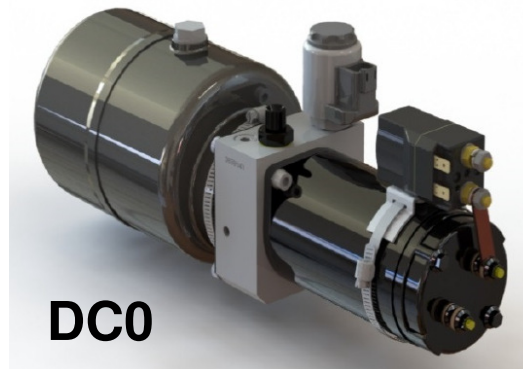
In accordance with EN 60034-1
suitable for short-term operation



DC0



Parts:
P = 6 1/4

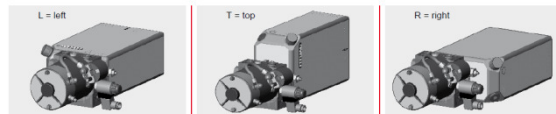


DC0

3.1 MOUNTING POSITION OF POWER UNIT



3.2 MOUNTING ORIENTATION OF OIL TANK



General Description

- Versatile range of 12 and 24 Volt Micro Power Units for a variety of applications
- Flows up to 3 l/min, pressures up to 200 bar
- Motors:
150 W, 500 W, 800 W DC
- Pump sizes:
0.25, 0.50, 0.75 cc/rev
- Tank sizes:
1.0 L
1.5 L